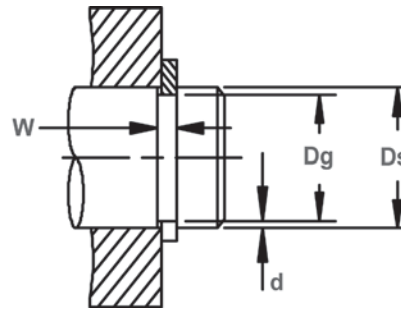
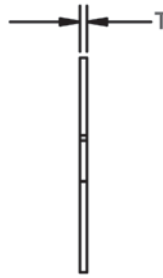
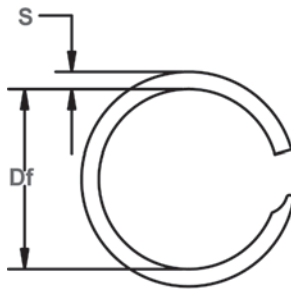


CL Anillos en Espiral de Eje

Externo, Trabajo Ligero

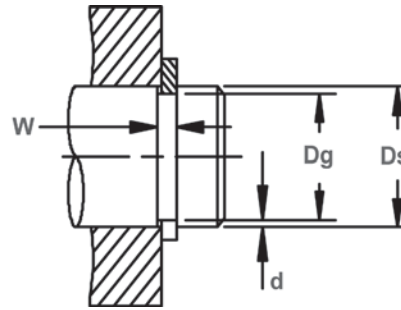
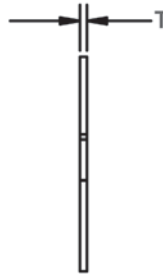
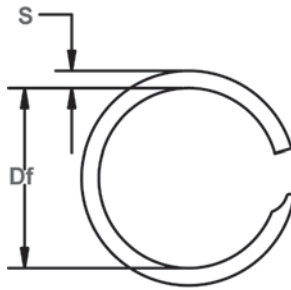
Estos anillos de una sola vuelta de retención son ideales para aplicaciones ligeras, o donde el posicionamiento axial es la función principal.



Diámetro libre y las mediciones del anillo

Diámetro del eje y dimensiones de las ranuras

NO. DE ANILLO	EJE DIAMETRO (In.)	TAMANO DE RANURA					TAMANO DEL ANILLO						CARGA DE EMPUJE (lb)	
		DIAMETRO		ANCHURA		PROFUNDIDAD	DIAMETRO LIBRE		ESPESOR		SECCION		FACTOR DE SEGURIDAD DE ANILLO 3	FACTOR DE SEGURIDAD DE RANURA 2
		Ds	Dg	Tol.	W	Tol.	d	Df	Tol.	T	Tol.	S	Tol.	Pr
CL-50	.500	.472		.022		.014	.467		.018		.045		1300	500
CL-56	.562	.534	+ .002	.022		.014	.529		.018		.045		1460	560
CL-62	.625	.597	- .002	.022		.014	.591		.018		.045		1630	620
CL-68	.687	.659		.022		.014	.652	+ .000	.018		.045		1790	680
CL-75	.750	.722		.022		.014	.715	- .013	.018		.045		1950	740
CL-81	.812	.770		.026		.021	.762		.021		.065		2460	1210
CL-87	.875	.833	+ .003	.026		.021	.825		.021		.065		2660	1300
CL-93	.937	.895	- .003	.026	+ .002	.021	.886		.021	+ .0015	.065		2840	1390
CL-100	1.000	.958		.026	- .000	.021	.949		.021	- .0015	.065		3040	1480
CL-106	1.062	1.018		.031		.022	1.008		.025		.088		3500	1650
CL-112	1.125	1.081		.031		.022	1.071		.025		.088		3710	1750
CL-118	1.187	1.143		.031		.022	1.132		.025		.088		3920	1850
CL-125	1.250	1.206	+ .004	.031		.022	1.194	+ .000	.025		.088		4120	1940
CL-131	1.312	1.268	- .004	.031		.022	1.255	- .015	.025		.088		4330	2040
CL-137	1.375	1.331		.031		.022	1.318		.025		.088		4540	2140
CL-143	1.437	1.393		.031		.022	1.379		.025		.088		4740	2240
CL-150	1.500	1.456		.031		.022	1.442		.025		.088		4950	2330
CL-156	1.562	1.505		.039		.029	1.488		.031		.118	+ .004	6390	3200
CL-162	1.625	1.568		.039		.029	1.550		.031		.118	- .004	6650	3330
CL-168	1.687	1.630		.039		.029	1.612		.031		.118		6900	3460
CL-175	1.750	1.693	+ .005	.039		.029	1.674	+ .000	.031		.118		7160	3590
CL-181	1.812	1.755	- .005	.039		.029	1.736	- .020	.031		.118		7410	3710
CL-187	1.875	1.818		.039		.029	1.798		.031		.118		7670	3840
CL-193	1.937	1.880		.039		.029	1.859		.031		.118		7920	3970
CL-200	2.000	1.943		.039		.029	1.922		.031		.118		8180	4100
CL-206	2.062	1.986		.039		.038	1.963		.031		.158		8430	5540
CL-212	2.125	2.049		.039		.038	2.026		.031		.158		8690	5710
CL-218	2.187	2.111		.039		.038	2.087		.031		.158		8950	5870
CL-225	2.250	2.174		.039		.038	2.149		.031	+ .002	.158		9200	6040
CL-231	2.312	2.236		.039	+ .003	.038	2.211		.031	- .002	.158		9460	6210
CL-237	2.375	2.299		.039	- .000	.038	2.273		.031		.158		9720	6380
CL-243	2.437	2.361		.039		.038	2.335	+ .000	.031		.158		9970	6550
CL-250	2.500	2.424		.039		.038	2.397	- .025	.031		.158		10230	6720
CL-256	2.562	2.486	+ .006	.039		.038	2.458		.031		.158		10480	6880
CL-262	2.625	2.549	- .006	.039		.038	2.521		.031		.158		10740	7050
CL-268	2.687	2.611		.039		.038	2.582		.031		.158		10990	7220
CL-275	2.750	2.674		.039		.038	2.644		.031		.158		11250	7390
CL-281	2.812	2.736		.039		.038	2.706		.031		.158		11500	7550
CL-287	2.875	2.799		.039		.038	2.768		.031		.158		11760	7720
CL-293	2.937	2.861		.039		.038	2.830		.031		.158		12010	7890
CL-300	3.000	2.924		.039		.038	2.892		.031		.158		12270	8060
CL-306	3.062	2.970		.044		.046	2.938	+ .000	.039		.188	+ .005	15760	9960
CL-312	3.125	3.033		.044		.046	3.001	- .030	.039		.188	- .005	16080	10160



Diámetro libre y las mediciones del anillo

Diámetro del eje y dimensiones de las ranuras

NO. DE ANILLO	EJE DIAMETRO (In.)	TAMANO DE RANURA					TAMANO DEL ANILLO					CARGA DE EMPUJE (lb)		
		DIAMETRO		ANCHURA		PROFUNDIDAD	DIAMETRO LIBRE		ESPESOR		SECCION		FACTOR DE SEGURIDAD DE ANILLO 3	FACTOR DE SEGURIDAD DE RANURA 2
		Ds	Dg	Tol.	W	Tol.	d	Df	Tol.	T	Tol.	S	Tol.	3
CL-318	3.187	3.095		.044		.046	3.062		.039		.188		16400	10360
CL-325	3.250	3.158		.044		.046	3.125		.039		.188		16720	10570
CL-331	3.312	3.220		.044		.046	3.186		.039		.188		17040	10770
CL-337	3.375	3.283		.044		.046	3.248		.039		.188		17370	10970
CL-343	3.437	3.345		.044	+ .003	.046	3.310		.039		.188		17690	11180
CL-350	3.500	3.408	+ .006	.044	- .000	.046	3.372	+ .000	.039		.188		18010	11380
CL-356	3.562	3.47	- .006	.044		.046	3.433	- .030	.039		.188		18330	11580
CL-362	3.625	3.533		.044		.046	3.496		.039		.188		18650	11790
CL-368	3.687	3.595		.044		.046	3.557		.039		.188		18970	11990
CL-375	3.750	3.658		.044		.046	3.620		.039		.188		19300	12190
CL-381	3.812	3.720		.044		.046	3.681		.039		.188		19620	12400
CL-387	3.875	3.783		.044		.046	3.743		.039		.188		19940	12600
CL-393	3.937	3.845		.044		.046	3.805		.039		.188		20260	12800
CL-400	4.000	3.908		.044		.046	3.867		.039		.188		20580	13010
CL-412	4.125	4.015		.052		.055	3.973		.046		.225	+ .005	23850	16040
CL-425	4.250	4.140		.052		.055	4.097		.046		.225	- .005	24570	16520
CL-437	4.375	4.265		.052		.055	4.221		.046		.225		25290	17010
CL-450	4.500	4.390		.052		.055	4.345	+ .000	.046		.225		26010	17500
CL-462	4.625	4.515		.052		.055	4.468	- .035	.046		.225		26740	17980
CL-475	4.750	4.640		.052		.055	4.592		.046	+ .002	.225	- .002	27460	18470
CL-487	4.875	4.765	+ .007	.052		.055	4.715		.046	- .002	.225		28180	18950
CL-500	5.000	4.890	- .007	.052		.055	4.839		.046		.225		28900	19440
CL-525	5.250	5.119		.067	+ .004	.066	5.067		.061		.225		40240	24490
CL-550	5.500	5.363		.067	- .000	.069	5.309		.061		.225		42160	26830
CL-575	5.750	5.606		.067		.072	5.550		.061		.225		44080	29260
CL-600	6.000	5.850		.067		.075	5.792	+ .000	.061		.225		45990	31810
CL-625	6.250	6.094		.067		.078	6.033	- .045	.061		.265		47910	34460
CL-650	6.500	6.338		.067		.081	6.275		.061		.265		49830	37220
CL-675	6.750	6.581		.067		.085	6.515		.061		.265		51740	40560
CL-700	7.000	6.825		.067		.088	6.757		.061		.265		53660	43540
CL-725	7.250	7.069		.067		.091	6.998		.061		.300		55580	46640
CL-750	7.500	7.313		.067		.094	7.240		.061		.300		57490	49830
CL-775	7.750	7.556	+ .008	.067		.097	7.480		.061		.300		59410	53140
CL-800	8.000	7.800	- .008	.067		.100	7.722	+ .000	.061		.300		61320	56550
CL-825	8.250	8.044		.082		.103	7.964	- .060	.076		.345		78790	60070
CL-850	8.500	8.288		.082		.106	8.205		.076		.345	+ .004	81180	63690
CL-875	8.750	8.531		.082		.110	8.446		.076		.345	- .008	83570	68040
CL-900	9.000	8.775		.082	+ .005	.113	8.687		.076		.345		85950	71890
CL-925	9.250	9.019		.082	- .005	.116	8.929	+ .000	.076		.345		88340	75850
CL-950	9.500	9.263		.082		.119	9.170	- .070	.076		.345		90730	79910
CL-975	9.750	9.506		.082		.122	9.411		.076		.345		93120	84080
CL-1000	10.000	9.750		.082		.125	9.653		.076		.345		95500	88360