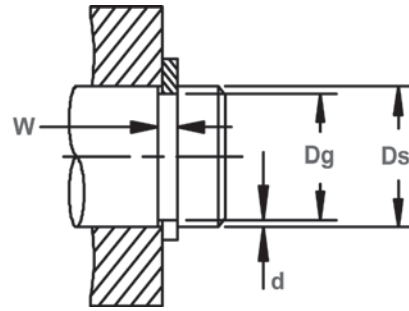
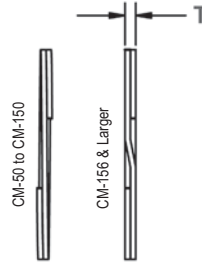
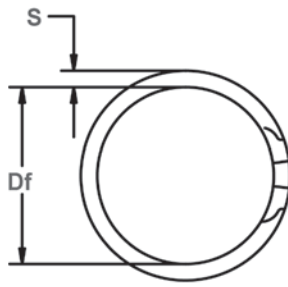


CM Anillos en Espiral de Eje

Externo, Trabajo Mediano.

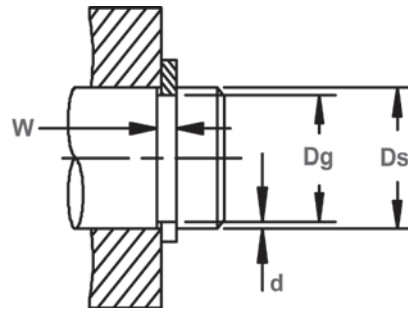
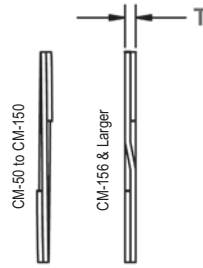
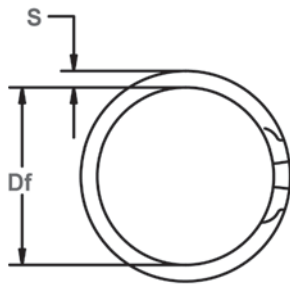
Estos anillos ofrecen la mayor economía en precio y tamaño. Son capaces de manejar aproximadamente dos veces la capacidad de empuje de la serie CL, y se produce con las especificaciones militares si es necesario.



Diámetro libre y las mediciones del anillo

Diámetro del eje y dimensiones de las ranuras

No. DE ANILLO	EJE DIAMETRO (In.)	TAMANO DE RANURA					TAMANO DEL ANILLO						CARGA DE EMPUJE (lbs.)			
		DIAMETRO			ANCHURA		PROFUNDIDAD	DIAMETRO LIBRE			ESPESOR		SECCION		FACTOR DE SEGURIDAD DEL ANILLO 3	FACTOR DE SEGURIDAD DE RANURA 2
		Ds	Dg	Tol.	W	Tol.	d	Df	Tol.	T	Tol.	S	Tol.			
CM-50	.500	.474		.030		.013	.467		.025		.045		2000	460		
CM-53	.531	.505	+.002 -.002	.030		.013	.498		.025		.045		2130	490		
CM-55	.551	.525		.030		.013	.518		.025		.045		2210	510		
CM-56	.562	.536		.030		.013	.529		.025		.045		2250	520		
CM-59	.594	.569		.030		.013	.561		.025		.045		2380	550		
CM-62	.625	.594		.030		.016	.585		.025		.055		2500	710		
CM-65	.656	.625		.030		.016	.617		.025		.055		2630	740		
CM-66	.669	.638		.030		.016	.629		.025		.055		2680	760		
CM-68	.687	.656		.030		.016	.647		.025		.055		2750	780		
CM-71	.718	.687		.030		.016	.679	+.000 -.013	.025		.055		2880	810		
CM-75	.750	.719	+.003 -.003	.036	+.003 -.000	.016	.710		.031		.065			3360	850	
CM-78	.781	.750		.036		.016	.741	.031		.065				3500	880	
CM-81	.812	.781		.036		.016	.771		.031		.065		3640	920		
CM-84	.843	.812		.036		.016	.803		.031		.065		3780	950		
CM-87	.875	.838		.036		.019	.828		.031		.065		3920	1180		
CM-90	.906	.869		.036		.019	.860		.031		.065		4060	1220		
CM-93	.937	.900		.036		.019	.889		.031	+.002 -.002	.065	+.004 -.004	4200	1260		
CM-96	.968	.925		.042		.021	.916		.037		.075			5180	1440	
CM-98	.984	.941		.042		.021	.930		.037		.075		5260	1460		
CM-100	1.000	.957		.042		.021	.946		.037		.075		5350	1480		
CM-102	1.023	.980		.042		.021	.968		.037		.075		5470	1520		
CM-103	1.031	.988		.042		.021	.978		.037		.075		5510	1530		
CM-106	1.062	1.020		.042		.021	1.007		.037		.075		5680	1580		
CM-109	1.093	1.051		.042		.021	1.040		.037		.075		5840	1620		
CM-112	1.125	1.083		.042		.021	1.070		.037		.075		6020	1670		
CM-115	1.156	1.114		.042		.021	1.102		.037		.075		6180	1720		
CM-118	1.188	1.140		.048		.024	1.127		.043		.085		7380	2020		
CM-121	1.218	1.170		.048		.024	1.159		.043		.085		7570	2070		
CM-125	1.250	1.202	+.004 -.004	.048	+.004 -.000	.024	1.188	+.000 -.015	.043		.085		7770	2120		
CM-128	1.281	1.233		.048		.024	1.221		.043		.085				7960	2170
CM-131	1.312	1.264		.048		.024	1.251		.043		.095		8150	2230		
CM-134	1.343	1.295		.048		.024	1.282		.043		.095		8350	2280		
CM-137	1.375	1.323		.048		.026	1.308		.043		.095		8540	2530		
CM-140	1.406	1.354		.048		.026	1.340		.043		.095		8740	2580		
CM-143	1.437	1.385		.048		.026	1.370		.043		.095		8930	2640		
CM-146	1.468	1.416		.048		.026	1.402		.043		.095		9120	2700		
CM-150	1.500	1.448		.048		.026	1.433		.043		.095		9320	2760		



Diámetro libre y las mediciones del anillo

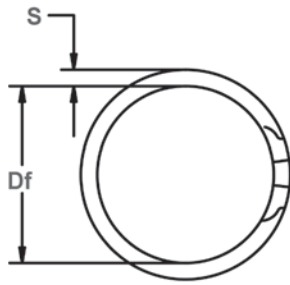
Diámetro del eje y dimensiones de las ranuras

NO. DE ANILLO	EJE DIAMETRO (In.)	TAMANO DE RANURA					TAMANO DEL ANILLO						CARGA DE EMPUJE (lbs.)		
		DIAMETRO		ANCHURA		PROFUNDIDAD	DIAMETRO LIBRE			ESPESOR		SECCION		FACTOR DE SEGURIDAD DEL ANILLO 3	FACTOR DE SEGURIDAD DE RANURA 2
		Ds	Dg	Tol.	W	Tol.	d	Df	Tol.	T	Tol.	S	Tol.		
CM-156	1.562	1.507		.056		.028	1.490		.049		.108		10100	3090	
CM-157	1.575	1.520		.056		.028	1.503		.049		.108		10190	3120	
CM-162	1.625	1.566		.056		.030	1.549		.049		.108		10510	3450	
CM-168	1.687	1.628		.056		.030	1.610		.049		.118		10910	3580	
CM-175	1.750	1.691	+.005 -.005	.056		.030	1.673		.049		.118		11310	3710	
CM-177	1.771	1.708		.056		.032	1.690		.049		.118		11450	4010	
CM-181	1.813	1.749		.056		.032	1.730	+.000 -.020	.049		.118		11720	4100	
CM-187	1.875	1.808		.056		.034	1.789		.049		.128		12120	4510	
CM-193	1.938	1.871		.056		.034	1.851		.049		.128		12530	4660	
CM-196	1.969	1.902		.056		.034	1.882		.049		.128	+.004 -.004	12730	4730	
CM-200	2.000	1.929		.056		.035	1.909		.049		.128		12930	4950	
CM-206	2.062	1.992		.056		.035	1.971		.049		.128		13330	5100	
CM-212	2.125	2.051		.056	+.004 -.000	.037	2.029		.049		.128		13740	5560	
CM-215	2.156	2.082		.056		.037	2.060		.049		.138		13940	5640	
CM-216	2.165	2.091		.056		.037	2.070		.049	+.003 -.003	.138		14000	5660	
CM-218	2.188	2.113		.056		.037	2.092		.049		.138		14150	5720	
CM-225	2.250	2.176		.056		.037	2.153		.049		.138		14550	5890	
CM-231	2.312	2.234		.056		.039	2.211		.049		.138		14950	6370	
CM-236	2.362	2.284		.056		.039	2.261	+.000 -.025	.049		.138		15270	6510	
CM-237	2.375	2.297		.056		.039	2.273		.049		.138		15360	6550	
CM-243	2.437	2.355		.056		.041	2.331		.049		.148		15760	7060	
CM-250	2.500	2.418	+.006 -.006	.056		.041	2.394		.049		.148		16160	7250	
CM-255	2.559	2.473		.056		.043	2.449		.049		.148		16550	7780	
CM-256	2.562	2.476		.056		.043	2.452		.049		.148		16560	7790	
CM-262	2.625	2.539		.056		.043	2.514		.049		.148		16970	7980	
CM-268	2.688	2.597		.056		.045	2.572		.049		.158		17380	8550	
CM-275	2.750	2.660		.056		.045	2.635		.049		.158		17780	8750	
CM-281	2.813	2.722		.056		.045	2.696		.049		.168		18190	8950	
CM-287	2.875	2.781		.056		.047	2.755		.049		.168		18590	9550	
CM-293	2.937	2.843		.056		.047	2.817		.049		.168		18990	9760	
CM-295	2.952	2.858		.056		.047	2.831	+.000 -.030	.049		.168		19090	9810	
CM-300	3.000	2.904		.068		.048	2.877		.061		.168	+.005 -.005	24150	10180	
CM-306	3.062	2.966		.068		.048	2.938	.061		.168	24650		10390		
CM-312	3.125	3.027		.068	+.005 -.000	.049	3.000	.061		.178		25150	10820		
CM-314	3.149	3.051		.068		.049	3.023	.061		.178		25350	10910		
CM-318	3.187	3.089		.068		.049	3.061	.061		.178		25650	11040		
CM-325	3.250	3.150		.068		.050	3.121	.061		.178		26160	11490		

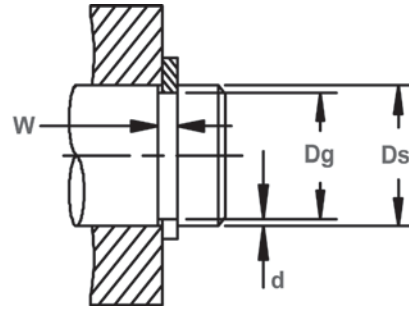
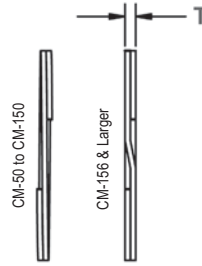
CM Anillos en Espiral de Eje

Externo, Trabajo Mediano

Estos anillos ofrecen la mayor economía en precio y tamaño. Son capaces de manejar aproximadamente dos veces la capacidad de empuje de la serie CL, y se produce con las especificaciones militares si es necesario.

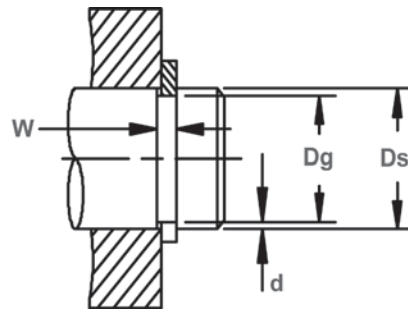
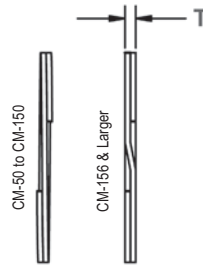
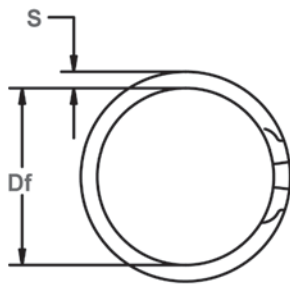


Diámetro libre y las mediciones del anillo



Diámetro del eje y dimensiones de las ranuras

NO. DE ANILLO	EJE DIAMETRO (In.)	TAMANO DE RANURA					TAMANO DEL ANILLO						CARGA DE EMPUJE (lbs.)		
		DIAMETRO		ANCHURA		PROFUNDIDAD	DIAMETRO LIBRE			ESPESOR		SECCION		FACTOR DE SEGURIDAD DEL ANILLO 3	FACTOR DE SEGURIDAD DE RANURA 2
		Ds	Dg	Tol.	W	Tol.	d	Df	Tol.	T	Tol.	S	Tol.		
CM-331	3.312	3.208		.068		.052	3.180		.061		.188		26660	12170	
CM-334	3.343	3.239		.068		.052	3.210	+ .000	.061		.188		26910	12290	
CM-337	3.375	3.271		.068		.052	3.242	- .030	.061		.188		27170	12410	
CM-343	3.437	3.331		.068		.053	3.301		.061		.188		27660	12880	
CM-350	3.500	3.394		.068		.053	3.363		.061		.188		28170	13110	
CM-354	3.543	3.433		.068		.055	3.402		.061		.198		28520	13770	
CM-356	3.562	3.452		.068		.055	3.422		.061		.198		28670	13850	
CM-362	3.625	3.515		.068		.055	3.483		.061		.198		29180	14090	
CM-368	3.687	3.575		.068		.056	3.543		.061		.198		29680	14600	
CM-374	3.740	3.628		.068		.056	3.597		.061		.198		30100	14800	
CM-375	3.750	3.638		.068		.056	3.606		.061		.198		30180	14840	
CM-381	3.812	3.700		.068		.056	3.668		.061	+ .003	.198		30680	15090	
CM-387	3.875	3.757		.068		.059	3.724		.061	- .003	.208		31190	16160	
CM-393	3.938	3.820		.068		.059	3.784		.061		.208	+ .005	31700	16420	
CM-400	4.000	3.876	+ .006	.068	+ .005	.062	3.842		.061		.218	- .005	32200	17530	
CM-406	4.063	3.939	- .006	.068	- .000	.062	3.906		.061		.218		32700	17810	
CM-412	4.125	4.000		.068		.062	3.967		.061		.218		33200	18080	
CM-413	4.134	4.010		.068		.062	3.975		.061		.218		33270	18120	
CM-418	4.188	4.058		.068		.065	4.022	+ .000	.061		.218		33710	19240	
CM-425	4.250	4.120		.068		.065	4.084	- .040	.061		.228		34210	19530	
CM-431	4.312	4.182		.068		.065	4.147		.061		.228		34710	19810	
CM-433	4.331	4.200		.068		.065	4.164		.061		.228		34860	19900	
CM-437	4.375	4.245		.068		.065	4.208		.061		.228		35210	20100	
CM-443	4.437	4.307		.068		.065	4.271		.061		.228		35710	20390	
CM-450	4.500	4.364		.068		.068	4.326		.061		.238		36220	21630	
CM-456	4.562	4.422		.079		.070	4.384		.072		.250		43340	22570	
CM-462	4.625	4.485		.079		.070	4.447		.072		.250		43940	22890	
CM-468	4.687	4.547		.079		.070	4.508		.072		.250		44530	23190	
CM-472	4.724	4.584		.079		.070	4.546		.072		.250		44880	23370	
CM-475	4.750	4.610		.079		.070	4.571		.072	+ .004	.250		45130	23500	
CM-481	4.812	4.672		.079		.070	4.633		.072	- .004	.250		45720	23810	
CM-487	4.875	4.735		.079		.070	4.695		.072		.250		46310	24120	
CM-493	4.937	4.797		.079		.070	4.757		.072		.250		46900	24430	
CM-500	5.000	4.856		.079		.072	4.816		.072		.250		47500	25450	
CM-511	5.118	4.974		.079		.072	4.934		.072		.250		48620	26050	
CM-512	5.125	4.981		.079		.072	4.939		.072		.250		48690	26080	



Diámetro libre y las mediciones del anillo

Diámetro del eje y dimensiones de las ranuras

NO. DE ANILLO	EJE DIAMETRO (In.)	TAMANO DE RANURA					TAMANO DEL ANILLO					CARGA DE EMPUJE (lbs.)		
		DIAMETRO		ANCHURA		PROFUNDIDAD	DIAMETRO LIBRE		ESPESOR		SECCION		FACTOR DE SEGURIDAD DEL ANILLO 3	FACTOR DE SEGURIDAD DE RANURA 2
		Ds	Dg	Tol.	W	Tol.	d	Df	Tol.	T	Tol.	S	Tol.	
CM-525	5.250	5.107		.079		.072	5.064		.072		.250		49880	26720
CM-537	5.375	5.228		.079		.074	5.187		.072		.250		51060	28120
CM-550	5.500	5.353		.079		.074	5.308		.072		.250		52250	28770
CM-551	5.511	5.364	+ .007	.079	+ .005	.074	5.320		.072		.250	+ .005	52360	28830
CM-562	5.625	5.478	- .007	.079	- .005	.074	5.433	+ .000	.072		.250	- .005	53440	29420
CM-575	5.750	5.597		.079		.077	5.550	- .050	.072		.250		54630	31300
CM-587	5.875	5.722		.079		.077	5.674		.072		.250		55810	31980
CM-590	5.905	5.752		.079		.077	5.705		.072		.250		56100	32140
CM-600	6.000	5.847		.079		.077	5.798		.072		.250		57000	32660
CM-612	6.125	5.953		.094		.086	5.903		.086		.312		69500	37230
CM-625	6.250	6.078		.094		.086	6.026		.086		.312		70920	37990
CM-629	6.299	6.127		.094		.086	6.076		.086		.312		71480	38290
CM-637	6.375	6.203		.094		.086	6.152		.086		.312		72340	38750
CM-650	6.500	6.328		.094		.086	6.274		.086		.312		73760	39510
CM-662	6.625	6.443		.094		.091	6.390	+ .000	.086		.312		75180	42620
CM-675	6.750	6.568		.094		.091	6.513	- .060	.086		.312		76600	43420
CM-687	6.875	6.693		.094		.091	6.638		.086		.312		78010	44220
CM-700	7.000	6.818		.094		.091	6.761		.086		.312		79430	45030
CM-712	7.125	6.933		.094		.096	6.877		.086	+ .004	.312		80850	48350
CM-725	7.250	7.058		.094		.096	6.999		.086	- .004	.312		82270	49200
CM-737	7.375	7.183		.094		.096	7.125		.086		.312		83690	50050
CM-750	7.500	7.308	+ .008	.094	+ .006	.096	7.250		.086		.312	+ .006	85110	50890
CM-762	7.625	7.423	- .008	.094	- .006	.101	7.363		.086		.312	- .006	86520	54440
CM-775	7.750	7.548		.094		.101	7.486		.086		.312		87940	55330
CM-787	7.875	7.673		.094		.101	7.611		.086		.312		89360	56220
CM-800	8.000	7.798		.094		.101	7.734		.086		.312		90780	57110
CM-825	8.250	8.038		.094		.106	7.972		.086		.375		93620	61820
CM-850	8.500	8.288		.094		.106	8.220	+ .000	.086		.375		96450	63690
CM-875	8.750	8.528		.094		.111	8.459	- .070	.086		.375		99290	68650
CM-900	9.000	8.778		.094		.111	8.707		.086		.375		102130	70620
CM-925	9.250	9.018		.094		.116	8.945		.086		.375		104960	75850
CM-950	9.500	9.268		.094		.116	9.194		.086		.375		107800	77900
CM-975	9.750	9.508		.094		.121	9.432		.086		.375		110640	83390
CM-1000	10.000	9.758		.094		.121	9.680		.086		.375		113470	85530
CM-1025	10.250	9.998		.094		.126	9.918		.086		.375		116310	91290
CM-1050	10.500	10.248		.094		.126	10.166		.086		.375		119150	93520
CM-1075	10.750	10.488		.094		.131	10.405		.086		.375		121990	99540
CM-1100	11.000	10.738		.094		.131	10.653		.086		.375		124820	101860