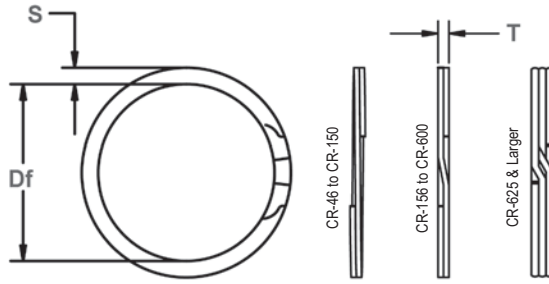


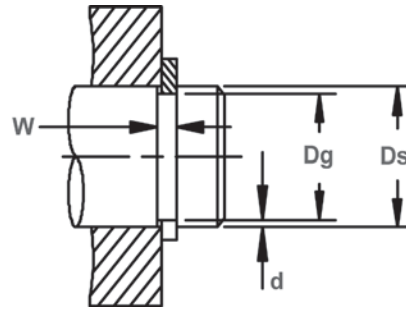


CR Anillos en Espiral de Eje

Externo, Trabajo Pesado-Mediano
 Externamente instalado hasta 10 pulgadas de diámetro del eje, estos anillos pueden manejar todo hasta las aplicaciones más rigurosas.



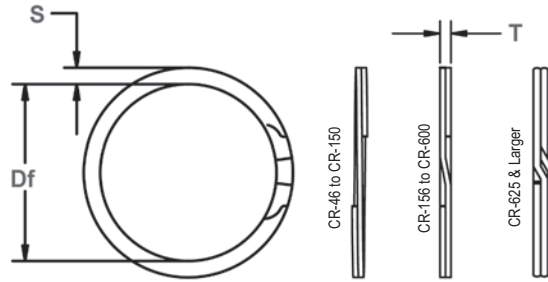
Diámetro libre y las mediciones del anillo



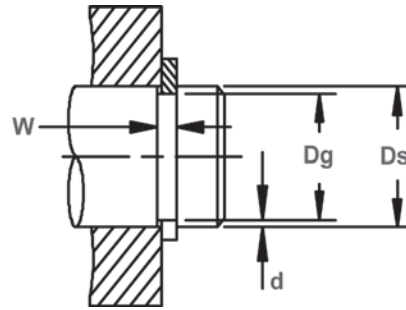
Diámetro del eje y dimensiones de las ranuras

NO. DE ANILLO	EJE DIAMETRO (In.)	TAMANO DE RANURA					TAMANO DEL ANILLO						CARGA DE EMPUJE (lbs.)		
		DIAMETRO		ANCHURA		PROFUNDIDAD	DIAMETRO LIBRE			ESPESOR		SECCION		FACTOR DE SEGURIDAD DEL ANILLO 3	FACTOR DE SEGURIDAD DE RANURA 2
		Ds	Dg	Tol.	W	Tol.	d	Df	Tol.	T	Tol.	S	Tol.		
CR-46	.469	.443	+ .002	.029		.013	.436		.025		.045		1800	430	
CR-50	.500	.474	- .002	.039		.013	.469		.035		.045		2530	460	
CR-55	.551	.524		.039		.014	.518		.035		.045		2790	550	
CR-56	.562	.535		.039		.014	.529		.035		.045		2840	560	
CR-59	.594	.565		.039		.015	.559		.035		.045		3000	630	
CR-62	.625	.596		.039		.015	.590		.035		.055		3160	660	
CR-66	.669	.638		.039		.016	.630		.035		.055		3380	760	
CR-68	.688	.655	+ .003	.046	+ .003	.017	.648	+ .000	.042		.065		4180	830	
CR-75	.750	.715	- .003	.046	- .000	.018	.708	- .013	.042		.065		4550	950	
CR-78	.781	.745		.046		.018	.738		.042		.065		4740	990	
CR-81	.812	.776		.046		.018	.768		.042	+ .002	.065		4930	1030	
CR-87	.875	.835		.046		.020	.827		.042	- .002	.075		5310	1240	
CR-93	.938	.894		.046		.022	.886		.042		.075		5690	1460	
CR-98	.984	.940		.046		.022	.934		.042		.075		5970	1530	
CR-100	1.000	.955		.046		.023	.947		.042		.075		6070	1630	
CR-102	1.023	.977		.046		.023	.969		.042		.075		6210	1660	
CR-106	1.062	1.015		.056		.024	1.005		.050		.088	+ .004	7010	1800	
CR-112	1.125	1.075		.056		.025	1.064		.050		.088	- .004	7420	1990	
CR-118	1.188	1.135	+ .004	.056		.027	1.126		.050		.088		7370	2270	
CR-125	1.250	1.195	- .004	.056		.028	1.184	+ .000	.050		.093		8250	2470	
CR-131	1.312	1.250		.056		.031	1.240	- .015	.050		.098		8660	2880	
CR-137	1.375	1.310		.056		.033	1.298		.050		.103		9070	3210	
CR-143	1.438	1.370		.056		.034	1.359		.050		.103		9490	3460	
CR-150	1.500	1.430		.056	+ .004	.035	1.419		.050		.103		9900	3710	
CR-156	1.562	1.490		.068	- .000	.036	1.476		.062		.108		12780	3980	
CR-162	1.625	1.550		.068		.038	1.537		.062		.118		13290	4370	
CR-168	1.687	1.610		.068		.039	1.598		.062		.118		13800	4650	
CR-175	1.750	1.670	+ .005	.068		.040	1.657	+ .000	.062		.118		14320	4950	
CR-177	1.771	1.689	- .005	.068		.041	1.676	- .020	.062		.123		14490	5130	
CR-181	1.812	1.730		.068		.041	1.714		.062		.123		14820	5250	
CR-187	1.875	1.790		.068		.043	1.774		.062		.123		15340	5700	
CR-196	1.969	1.879		.068		.045	1.864		.062		.123		16110	6260	
CR-200	2.000	1.910		.068		.045	1.894		.062	+ .003	.128		16360	6360	
CR-206	2.062	1.970		.086		.046	1.955		.078	- .003	.141		21220	6710	
CR-212	2.125	2.027		.086		.049	2.012		.078		.141		21870	7360	
CR-215	2.156	2.057		.086		.050	2.041		.078		.141		22190	7620	
CR-225	2.250	2.145		.086		.053	2.129		.078		.141		23160	8430	
CR-231	2.312	2.205	+ .006	.086	+ .005	.054	2.188	+ .000	.078		.141		23800	8830	
CR-237	2.375	2.265	- .006	.086	- .000	.055	2.248	- .025	.078		.141		24440	9230	
CR-243	2.437	2.325		.086		.056	2.307		.078		.141		25080	9650	
CR-250	2.500	2.385		.086		.058	2.366		.078		.188		25730	10250	
CR-255	2.559	2.443		.086		.058	2.424		.078		.188	+ .005	26340	10490	
CR-262	2.625	2.505		.086		.060	2.485		.078		.188	- .005	27020	11130	
CR-268	2.687	2.565		.086		.061	2.545		.078		.188		27660	11590	





Diámetro libre y las mediciones del anillo



Diámetro del eje y dimensiones de las ranuras

NO. DE ANILLO	EJE DIAMETRO (In.)	TAMANO DE RANURA					TAMANO DEL ANILLO					CARGA DE EMPUJE (lbs.)		
		DIAMETRO		ANCHURA		PROFUNDIDAD	DIAMETRO LIBRE		ESPESOR		SECCION		FACTOR DE SEGURIDAD DEL ANILLO 3	FACTOR DE SEGURIDAD DE RANURA 2
		Ds	Dg	Tol.	W	Tol.	d	Df	Tol.	T	Tol.	S	Tol.	
CR-275	2.750	2.625		.103		.063	2.604		.093		.188		32140	12250
CR-287	2.875	2.742		.103		.067	2.722		.093		.188		33600	13620
CR-293	2.937	2.801		.103		.068	2.780		.093		.188		34320	14120
CR-300	3.000	2.860		.103		.070	2.838		.093		.188		35060	14840
CR-306	3.062	2.920		.103		.071	2.897	+ .000	.093		.188		35790	15370
CR-312	3.125	2.980		.103		.073	2.957	- .030	.093		.188		36520	16130
CR-315	3.156	3.010		.103		.073	3.156		.093		.188		36880	16290
CR-325	3.250	3.100		.103		.075	3.075		.093		.188		37980	17230
CR-334	3.344	3.190		.103		.077	3.164		.093		.188		39080	18200
CR-343	3.437	3.280	+ .006	.103	+ .005	.079	3.254		.093	+ .003	.188	+ .005	40170	19190
CR-350	3.500	3.340	- .006	.120	- .000	.080	3.315		.111	- .003	.250	- .005	48820	19790
CR-354	3.543	3.381		.120		.081	3.356		.111		.250		49420	20290
CR-362	3.625	3.458		.120		.084	3.433		.111		.250		50560	21520
CR-368	3.687	3.517		.120		.085	3.490		.111		.250		51430	22150
CR-375	3.750	3.577		.120		.087	3.550		.111		.250		52310	23060
CR-387	3.875	3.696		.120		.090	3.670	+ .000	.111		.250		54050	24650
CR-393	3.938	3.756		.120		.091	3.730	- .040	.111		.250		54930	25330
CR-400	4.000	3.815		.120		.093	3.787		.111		.250		55800	26300
CR-425	4.250	4.065		.120		.093	4.032		.111		.250		59280	27940
CR-437	4.375	4.190		.120		.093	4.162		.111		.250		61030	28760
CR-450	4.500	4.310		.120		.095	4.280		.111		.250		62770	30220
CR-475	4.750	4.550		.120		.100	4.515		.111		.250		66260	33580
CR-500	5.000	4.790		.120		.105	4.755		.111		.250		69740	37110
CR-525	5.250	5.030		.139		.110	4.995		.127		.375		83790	40820
CR-550	5.500	5.265	+ .007	.139	+ .006	.118	5.229	+ .000	.127	+ .004	.375		87780	45880
CR-575	5.750	5.505	- .007	.139	- .000	.123	5.466	- .050	.127	- .004	.375		91770	49990
CR-600	6.000	5.745		.139		.128	5.705		.127		.375		95760	54290
CR-625	6.250	5.985		.174		.133	5.942		.165		.312		129590	58760
CR-650	6.500	6.225		.174		.138	6.182	+ .000	.165		.312		134780	63410
CR-675	6.750	6.465		.174		.143	6.420	- .060	.165		.312		139960	68230
CR-700	7.000	6.705		.174		.148	6.658		.165		.312		145140	73230
CR-725	7.250	6.942		.174		.154	6.894		.165		.312	+ .006	172190	78290
CR-750	7.500	7.180		.209		.160	7.130		.189		.375	- .006	178130	84820
CR-775	7.750	7.420	+ .008	.209	+ .008	.165	7.368		.189	+ .005	.375		184070	90390
CR-800	8.000	7.660	- .008	.209	- .000	.170	7.607		.189	- .005	.375		190000	96130
CR-825	8.250	7.900		.209		.175	7.845	+ .000	.189		.375		195940	102050
CR-850	8.500	8.140		.209		.180	8.083	- .070	.189		.375		201880	108150
CR-875	8.750	8.383		.209		.184	8.321		.189		.375		207820	113800
CR-900	9.000	8.620		.209		.190	8.560		.189		.375		213750	120870
CR-925	9.250	8.860		.209		.195	8.798		.189		.375		219690	127500
CR-950	9.500	9.100		.209		.200	9.036		.189		.375		225630	134300
CR-975	9.750	9.338		.209		.206	9.273		.189		.375		231570	141970
CR-1000	10.000	9.575		.209		.213	9.508		.189		.375		237500	150560