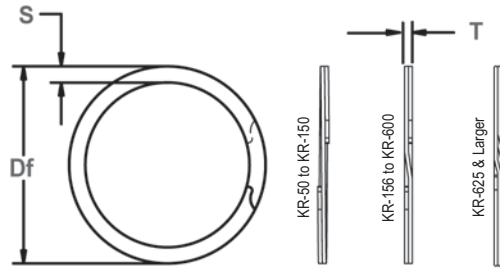


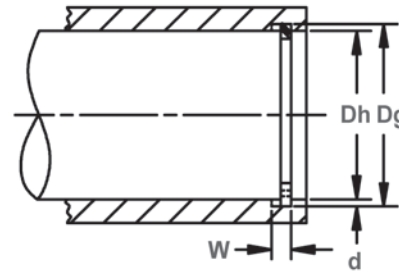


KR Anillos Espiral de Carcasa

Interno, Trabajo Pesado-Mediano
 Con capacidades de carga más cercanas a la serie para trabajo pesado, y las dimensiones de ranura casi universales, estos anillos ofrecer mayor facilidad de montaje con mayor capacidad de empuje.



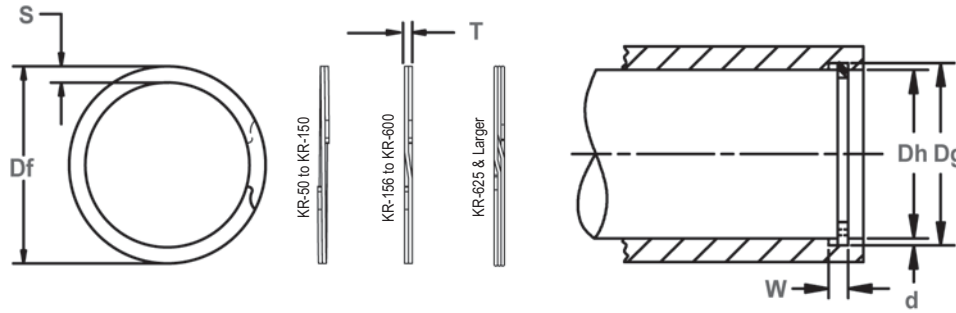
Diámetro libre y las mediciones del anillo



Diámetro de la carcasa y dimensiones de la ranura

No. DE ANILLO	DIAMETRO DE LA CARCASA (In.)		TAMANO DE RANURA				TAMANO DEL ANILLO						CARGA DE EMPUJE (lbs.)	
			DIAMETRO		ANCHURA		PROFUNDIDAD	DIAMETRO LIBRE		ESPESOR		SECCION		FACTOR DE SEGURIDAD DEL ANILLO 3
	Dh	Dg	Tol.	W	Tol.	d	Df	Tol.	T	Tol.	S	Tol.		
KR-50	.500	.524	+.002/-0.002	.039		.012	.529		.035		.045		2530	420
KR-51	.512	.536		.039		.012	.541		.035		.045		2590	430
KR-56	.562	.592		.039		.015	.597		.035		.045		2840	600
KR-62	.625	.659		.039		.017	.665		.035		.045		3160	750
KR-68	.688	.724		.039		.018	.730		.035		.055		3480	880
KR-75	.750	.790		.039		.020	.796		.035		.055		3790	1060
KR-77	.777	.819	+.003	.046	+.003	.021	.825	+.013	.042		.065		4720	1150
KR-81	.812	.857	-.003	.046	-.000	.023	.864	-.000	.042		.065		4930	1320
KR-86	.866	.912		.046		.023	.919		.042		.065		5260	1410
KR-87	.875	.922		.046		.024	.929		.042	+.002	.065		5310	1480
KR-90	.901	.950		.046		.025	.957		.042	-.002	.065		5470	1590
KR-93	.938	.989		.046		.026	.997		.042		.075		5690	1720
KR-100	1.000	1.055		.046		.028	1.063		.042		.075		6070	1980
KR-102	1.023	1.079		.046		.028	1.087		.042		.075		6210	2030
KR-106	1.062	1.120		.056		.029	1.129		.050		.078		7010	2180
KR-112	1.125	1.185		.056		.030	1.195		.050		.078	+.004	7420	2390
KR-118	1.188	1.250		.056		.031	1.260		.050		.088	-.004	7840	2600
KR-125	1.250	1.320	+.004	.056		.035	1.330	+.015	.050		.093		8250	3090
KR-131	1.312	1.385	-.004	.056		.037	1.395	-.000	.050		.093		8660	3430
KR-137	1.375	1.450		.056		.038	1.461		.050		.098		9070	3690
KR-143	1.438	1.515		.056		.039	1.526		.050		.103		9490	3960
KR-145	1.456	1.535		.056		.040	1.546		.050		.108		9610	4120
KR-150	1.500	1.580		.056	+.004	.040	1.591		.050		.108		9900	4240
KR-156	1.562	1.647		.068	-.000	.043	1.659		.062		.113		12780	4750
KR-162	1.625	1.715		.068		.045	1.727		.062		.113		13290	5170
KR-165	1.653	1.745		.068		.046	1.757		.062		.118		13520	5380
KR-168	1.688	1.780		.068		.046	1.793		.062		.118		13810	5490
KR-175	1.750	1.845		.068		.048	1.858	+.020	.062		.118		14320	5940
KR-181	1.812	1.910	+.005	.068		.049	1.923	-.000	.062		.123		14820	6280
KR-185	1.850	1.949	-.005	.068		.050	1.963		.062		.123		15130	6540
KR-187	1.875	1.975		.068		.050	1.989		.062		.128		15340	6630
KR-193	1.938	2.040		.068		.051	2.054		.062		.128		15850	6990
KR-200	2.000	2.110		.068		.055	2.125		.062		.138		16360	7780
KR-206	2.062	2.175		.086		.057	2.190		.078		.141		21220	8310
KR-212	2.125	2.240		.086		.058	2.255		.078	+.003	.141		21870	8710
KR-218	2.188	2.305		.086		.059	2.321		.078	-.003	.141		22520	9130
KR-225	2.250	2.370		.086		.060	2.386		.078		.141		23160	9540
KR-231	2.312	2.440		.086		.064	2.457		.078		.188		23800	10460
KR-237	2.375	2.505		.086		.065	2.522		.078		.188		24440	10910
KR-244	2.440	2.570		.086		.065	2.588		.078		.188		25110	11210
KR-250	2.500	2.635		.086		.068	2.653	+.025	.078		.188		25730	12020
KR-253	2.531	2.668	+.006	.086	+.005	.069	2.687	-.000	.078		.188	+.005	26050	12350
KR-256	2.562	2.700	-.006	.103	-.000	.069	2.720		.093		.188	-.005	29940	12500
KR-262	2.625	2.765		.103		.070	2.785		.093		.188		30680	12990
KR-268	2.688	2.834		.103		.073	2.855		.093		.188		31410	13870
KR-275	2.750	2.900		.103		.075	2.921		.093		.188		32140	14580
KR-281	2.813	2.965		.103		.076	2.987		.093		.188		32880	15110
KR-283	2.834	2.987		.103		.077	3.009		.093		.188		33120	15430





Diámetro libre y las mediciones del anillo

Diámetro de la carcasa y dimensiones de la ranura

No. DE ANILLO	DIAMETRO DE LA CARCASA (In.)		TAMANO DE RANURA				TAMANO DEL ANILLO						CARGA DE EMPUJE (lbs.)	
			DIAMETRO		ANCHURA		PROFUNDIDAD	DIAMETRO LIBRE		ESPESOR		SECCION		FACTOR DE SEGURIDAD DEL ANILLO 3
	Dh	Dg	Tol.	W	Tol.	d	Df	Tol.	T	Tol.	S	Tol.		
KR-287	2.875	3.030		.103		.078	3.053	+ .025	.093		.188		33600	15850
KR-300	3.000	3.165		.103		.083	3.188	- .000	.093		.188		35060	17600
KR-306	3.062	3.230		.120		.084	3.253		.111		.250		42710	18180
KR-312	3.125	3.295		.120		.085	3.318		.111		.250		43590	18780
KR-315	3.156	3.328		.120		.086	3.354		.111		.250		44040	19190
KR-325	3.250	3.426		.120		.088	3.450		.111		.250		45330	20220
KR-334	3.346	3.525		.120		.090	3.550		.111		.250		46670	21290
KR-346	3.464	3.650		.120		.093	3.675		.111		.250		48320	22770
KR-350	3.500	3.690		.120		.095	3.716	+ .030	.111		.250		48820	23500
KR-354	3.543	3.735	+ .006	.120	+ .005	.096	3.761	- .000	.111	+ .003	.250		49420	24040
KR-356	3.562	3.756	- .006	.120	- .000	.097	3.783		.111	- .003	.250		49690	24420
KR-362	3.625	3.822		.120		.099	3.849		.111		.250		50560	25370
KR-375	3.750	3.955		.120		.103	3.982		.111		.250		52310	27300
KR-387	3.875	4.087		.120		.106	4.115		.111		.250		54050	29030
KR-393	3.938	4.150		.120		.106	4.178		.111		.250		54930	29510
KR-400	4.000	4.220		.120		.110	4.248		.111		.250		55800	31100
KR-412	4.125	4.345		.120		.110	4.373		.111		.312		57540	32070
KR-425	4.250	4.470		.120		.110	4.500		.111		.312		59280	33050
KR-433	4.330	4.566		.120		.113	4.586	+ .035	.111		.312		60400	34590
KR-450	4.500	4.735		.120		.118	4.768	- .000	.111		.312		62770	37530
KR-462	4.625	4.865		.120		.120	4.897		.111		.312		64510	39230
KR-475	4.750	4.995		.120		.123	5.028		.111		.312		66260	41300
KR-500	5.000	5.260		.120		.130	5.295		.111		.312		69740	45950
KR-525	5.250	5.520		.139		.135	5.559		.127		.375		83790	50100
KR-537	5.375	5.645	+ .007	.139	+ .006	.135	5.685	+ .045	.127	+ .004	.375		85780	51290
KR-550	5.500	5.770	- .007	.139	- .000	.135	5.810	- .000	.127	- .004	.375		87780	52480
KR-575	5.750	6.020		.139		.135	6.062		.127		.375		91770	54870
KR-600	6.000	6.270		.139		.135	6.314		.127		.375		95760	57260
KR-625	6.250	6.530		.174		.140	6.576		.165		.312	+ .006	129590	61850
KR-650	6.500	6.790		.174		.145	6.837	+ .055	.165		.312	- .006	134780	66620
KR-662	6.625	6.925		.174		.150	6.973	- .000	.165		.312		137370	70240
KR-675	6.750	7.055		.174		.153	7.104		.165		.312		139960	73000
KR-700	7.000	7.315		.174		.158	7.366		.165		.312		145140	78180
KR-725	7.250	7.575		.209		.163	7.628		.189		.375		172190	83530
KR-750	7.500	7.840		.209		.170	7.895		.189		.375		178130	90120
KR-775	7.750	8.100	+ .008	.209	+ .008	.175	8.156		.189	+ .005	.375		184070	95870
KR-800	8.000	8.360	- .008	.209	- .000	.180	8.418		.189	- .005	.375		190000	101790
KR-825	8.250	8.620		.209		.185	8.680		.189		.375		195940	107880
KR-850	8.500	8.880		.209		.190	8.942	+ .070	.189		.375		201880	114160
KR-875	8.750	9.145		.209		.198	9.209	- .000	.189		.375		207820	122460
KR-900	9.000	9.405		.209		.203	9.471		.189		.375		213750	129140
KR-925	9.250	9.669		.209		.210	9.736		.189		.375		219690	137310
KR-950	9.500	9.930		.209		.215	9.999		.189		.375		225630	144380
KR-975	9.750	10.189		.209		.220	10.260		.189		.375		231570	151620
KR-1000	10.000	10.450		.209		.225	10.552		.189		.375		237500	159040
KR-1050	10.500	10.970		.209		.235	11.072		.189		.375		249380	174420