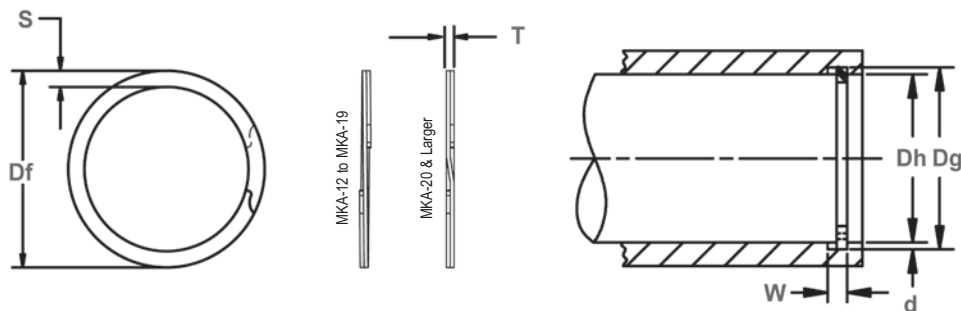


# MKA Anillos Espiral de Carcasa

**Interno, Aeroespacial, Métrico**  
Dimensiones conformes a las especificaciones Aeroespacial Métrico  
MA 4017.

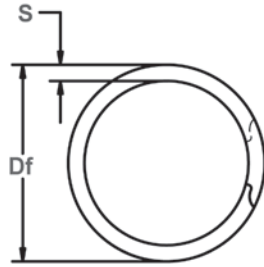


Diámetro libre y las mediciones del anillo

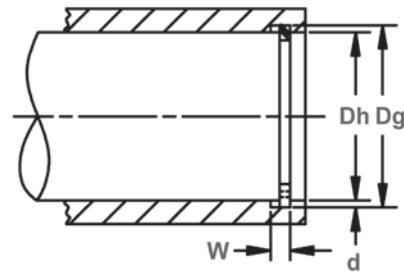
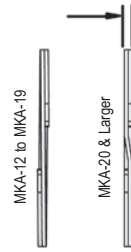
Diámetro de la carcasa y dimensiones de la ranura

No. DE ANILLO	DIAMETRO DE LA CARCASA (mm)	TAMANO DE RANURA				TAMANO DEL ANILLO						CARGA DE EMPUJE (n)						
		DIAMETRO		ANCHURA		DIAMETRO LIBRE		ESPESOR		SECCION		FACTOR DE SEGURIDAD DE ANILLO 3	FACTOR DE SEGURIDAD DE RANURA 2					
		Dh	Dg	Tol.	W	Tol.	Df	Tol.	T	Tol.	S			Tol.				
MKA-12	12.00	12.70	±0.05	0.70	+0.08 -0.00	12.89	+0.35 -0.00	0.60	±0.05	1.14	±0.10	7,950	2,050					
MKA-13	13.00	13.75		1.00		13.95		0.89		1.14		12,110	2,410					
MKA-14	14.00	14.85		1.00		15.07		0.89		1.40		13,040	2,930					
MKA-15	15.00	15.90		1.00		16.14		0.89		1.40		13,970	3,290					
MKA-16	16.00	16.95		1.00		17.15		0.89		1.40		14,900	3,740					
MKA-17	17.00	18.05		1.00		18.32		0.89		1.65		15,830	4,390					
MKA-18	18.00	19.10		1.00		19.39		0.89		1.65		16,760	4,820					
MKA-19	19.00	20.17		1.00		20.48		0.89		1.65		17,690	5,460					
MKA-20	20.00	21.22		1.00		21.51		0.89		1.91		18,620	5,940					
MKA-21	21.00	22.27		1.00		22.56		0.89		1.91		19,550	6,550					
MKA-22	22.00	23.37	±0.075	1.20	+0.10 -0.00	23.65	±0.075	1.07	±0.08	1.91	±0.10	24,630	7,390					
MKA-23	23.00	24.42		1.20		24.69		1.07		2.16		25,750	7,950					
MKA-24	24.00	25.47		1.20		25.73		1.07		2.16		26,870	8,650					
MKA-25	25.00	26.67		1.20		27.03		1.07		2.16		27,990	10,230					
MKA-26	26.00	27.77		1.20		28.07		1.07		2.16		29,110	11,270					
MKA-27	27.00	28.87		1.40		29.11		1.27		2.64		31,170	12,360					
MKA-28	28.00	29.87		1.40		30.10		1.27		2.64		32,330	12,820					
MKA-29	29.00	30.95		1.40		31.21		1.27		2.64		33,480	13,840					
MKA-30	30.00	32.00		1.40		32.28		1.27		2.64		34,640	14,610					
MKA-31	31.00	33.05		1.40		33.32		1.27		2.64		35,790	15,550					
MKA-32	32.00	34.00	1.40	34.23	1.27	2.64	36,950	15,880										
MKA-34	34.00	36.20	1.40	36.46	1.27	3.00	39,260	18,210										
MKA-35	35.00	37.30	1.40	37.55	1.27	3.00	40,410	19,600										
MKA-36	36.00	38.40	±0.10	1.40	+0.10 -0.00	38.68	±0.075	1.27	±0.08	3.00	±0.10	41,560	21,040					
MKA-37	37.00	39.40		1.40		39.60		1.27		3.00		42,720	21,620					
MKA-38	38.00	40.50		1.40		40.77		1.27		3.00		43,870	23,130					
MKA-40	40.00	42.50		1.75		42.91		1.57		3.25		57,090	24,350					
MKA-42	42.00	44.60		1.75		45.01		1.57		3.25		59,950	26,590					
MKA-45	45.00	47.70		1.75		48.13		+0.51		3.25		64,230	29,590					
MKA-46	46.00	48.80		1.75		49.28		-0.00		1.57		65,660	31,370					
MKA-47	47.00	49.90		1.75		50.32		1.57		4.01		67,080	33,190					
MKA-48	48.00	51.00		1.75		51.46		1.57		4.01		68,510	35,070					
MKA-50	50.00	53.20		1.75		53.66		1.57		4.01		71,370	38,960					
MKA-52	52.00	53.79	±0.125	1.42	+0.50 -0.00	54.30	±0.08	1.25	±0.08	3.25	±0.10	59,090	22,790					
MKA-53	53.00	54.79		1.42		55.32		1.25		3.25		60,230	23,230					
MKA-55	55.00	56.85		1.42		57.38		1.25		3.51		62,500	24,910					
MKA-56	56.00	57.85		1.42		58.40		1.25		3.51		63,640	25,360					
MKA-58	58.00	59.85		1.42		60.43		1.25		3.51		65,910	26,270					
MKA-59	59.00	60.93		1.42		61.54		1.25		3.51		67,050	27,870					
MKA-60	60.00	61.99		1.42		62.57		1.25		3.51		68,180	29,220					
MKA-61	61.00	63.09		±0.15		1.42		+0.63 -0.00		63.65		±0.08	1.25	±0.08	3.81	±0.10	69,320	31,190
MKA-62	62.00	64.09				1.42				64.70			1.25		3.81		70,460	31,700
MKA-63	63.00	65.09				1.42				65.70			1.25		3.81		71,590	32,220
MKA-64	64.00	66.19	1.42		66.77	1.25	3.81		72,730	34,290								
MKA-65	65.00	67.19	1.42		67.82	1.25	3.81		73,870	34,820								
MKA-66	66.00	68.19	1.42		68.80	1.25	3.81		75,000	35,360								
MKA-67	67.00	69.25	1.42		69.90	1.25	3.81		76,140	36,870								

Dimensiones en milímetros a menos indicado al contrario



Diámetro libre y las mediciones del anillo



Diámetro de la carcasa y dimensiones de la ranura

No. DE ANILLO	DIAMETRO DE LA CARCASA (mm)	TAMANO DE RANURA				TAMANO DEL ANILLO				CARGA DE EMPUJE (n)			
		DIAMETRO		ANCHURA		DIAMETRO LIBRE		ESPESOR		SECCION		FACTOR DE SEGURIDAD DE ANILLO 3	FACTOR DE SEGURIDAD DE RANURA 2
		Dh	Dg	Tol.	W	Tol.	Df	Tol.	T	Tol.	S		
MKA-68	68.00	70.29		1.42		70.94		1.25		4.01		77,270	38,090
MKA-69	69.00	71.29		1.42		71.94		1.25		4.01	±0.10	78,410	38,650
MKA-70	70.00	72.29		1.42	+0.10	72.94	+0.63	1.25		4.01		79,550	39,210
MKA-71	71.00	73.29		1.42	-0.00	73.99	-0.00	1.25		4.01		80,680	39,770
MKA-72	72.00	74.39		1.42		75.04		1.25		4.27		81,510	40,910
MKA-75	75.00	77.39		1.42		78.07		1.25		4.27		85,230	43,830
MKA-78	78.00	80.45		1.73		81.21		1.55		4.27		109,910	46,730
MKA-80	80.00	82.49		1.73		83.22		1.55		4.52		112,730	48,700
MKA-82	82.00	84.55		1.73		85.28		1.55		4.52		115,550	51,120
MKA-85	85.00	87.65		1.73		88.38		1.55	±0.08	4.78		119,780	55,060
MKA-88	88.00	90.69	±0.15	1.73		91.45	+0.76	1.55		4.78		124,000	57,860
MKA-90	90.00	92.79		1.73		93.58	-0.00	1.55		5.03		126,820	61,370
MKA-92	92.00	94.85		1.73		95.66		1.55		5.03		129,640	64,070
MKA-95	95.00	97.85		1.73		98.69		1.55		5.03		133,870	66,160
MKA-98	98.00	100.99		1.73	+0.13	101.83		1.55		5.28	±0.13	138,090	71,590
MKA-100	100.00	102.99		1.73	-0.00	103.83		1.55		5.28		140,910	73,050
MKA-102	102.00	105.15		1.73		106.00		1.55		5.54		143,730	78,490
MKA-105	105.00	108.15		1.73		109.00		1.55		5.54		147,960	80,800
MKA-108	108.00	111.31		1.73		112.22		1.55		5.79		152,190	87,310
MKA-110	110.00	113.31		1.73		114.25		1.55		5.79		155,000	82,140
MKA-112	112.00	115.45		1.73		116.44	+0.90	1.55		6.05		157,820	94,370
MKA-115	115.00	118.45		1.73		119.44	-0.00	1.55		6.05		162,050	96,890
MKA-120	120.00	123.55		2.00		124.54		1.83		6.35		199,640	104,030
MKA-125	125.00	128.55		2.00		129.59		1.83		6.35		207,960	108,360
MKA-130	130.00	133.65		2.00		134.71		1.83		6.35		216,280	115,860
MKA-135	135.00	138.62		2.00		139.74		1.83		6.35		224,600	119,000
MKA-140	140.00	143.72	±0.18	2.00		144.87	+1.14	1.83		6.35		232,920	126,820
MKA-145	145.00	148.82		2.00		150.04	-0.00	1.83		6.35		241,230	134,880
MKA-150	150.00	153.82		2.00		155.07		1.83		6.35		249,550	139,530
MKA-155	155.00	159.40		2.40		160.72		2.18		7.92		307,190	166,080
MKA-160	160.00	164.40		2.40		165.74		2.18		7.92		317,100	171,433
MKA-165	165.00	169.40		2.40		170.77	+1.40	2.18		7.92		327,010	176,790
MKA-170	170.00	174.60		2.40		176.05	-0.00	2.18		7.92		336,920	190,430
MKA-175	175.00	179.60		2.40		181.05		2.18	±0.10	7.92		346,830	196,030
MKA-180	180.00	184.88		2.40		186.38		2.18		7.92		356,740	213,900
MKA-185	185.00	189.88		2.40		191.10		2.18		7.92		366,650	219,840
MKA-190	190.00	194.88	±0.20	2.40	+0.20	196.45		2.18		7.92		376,560	225,790
MKA-195	195.00	200.14		2.40	-0.00	201.74		2.18		7.92	±0.15	386,460	244,070
MKA-200	200.00	205.14		2.40		206.76		2.18		7.92		396,370	250,330
MKA-210	210.00	215.40		2.40		217.10		2.18		9.53		416,490	276,140
MKA-220	220.00	225.64		2.40		227.40	+1.65	2.18		9.53		436,010	257,150
MKA-230	230.00	235.90		2.40		237.73	-0.00	2.18		9.53		455,830	330,450
MKA-240	240.00	245.90		2.40		247.80		2.18		9.53		475,650	344,810
MKA-250	250.00	256.16		2.40		258.10		2.18		9.53		495,470	375,010
MKA-260	260.00	266.40		2.40		268.43		2.18		9.53		515,290	405,210
MKA-270	270.00	276.40		2.40		278.50		2.18		9.53		535,100	420,790
MKA-280	280.00	286.66		2.40		288.82		2.18		9.53		554,920	454,100

Dimensiones en milímetros a menos indicado al contrario

