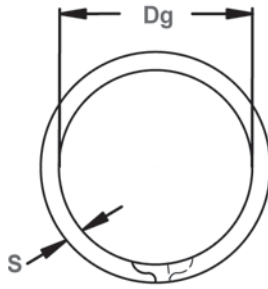


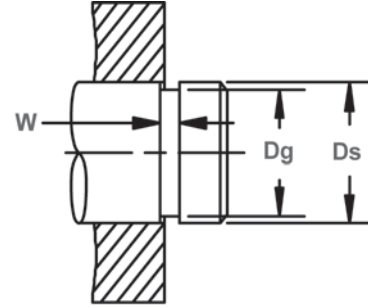
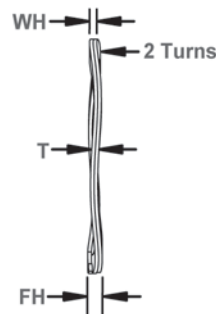
Externo, Espiral, en pulgadas

Los ondulados en el anillo espiral compensan las tolerancias acumuladas.

NCG TruWave™ Anillos de Eje



Diámetro libre y las mediciones del anillo



Diámetro del eje y dimensiones de las ranuras

ANILLO NO.	DIAMETRO DEL EJE	CARGA (lbs.) @ TRABAJO DE ALTURA	ALTURA LIBRE (max.)	NUMERO DE ONDAS	TAMANO DE LA RANURA		TAMANO DEL ANILLO	
					DIAMETRO	ANCHURA	ESPESOR	SECCION
					Dg	W min	T	S
NCG-75	.750	25 @ .085	.115	3	.704	.120	.042	.065
NCG-87	.875	30 @ .085	.131	3	.821	.136	.042	.075
NCG-100	1.000	34 @ .085	.129	3	.940	.134	.042	.085
NCG-112	1.125	38 @ .100	.137	3	1.059	.142	.050	.128
NCG-125	1.250	40 @ .100	.145	3	1.176	.150	.050	.128
NCG-137	1.375	45 @ .100	.130	4	1.291	.135	.050	.128
NCG-150	1.500	50 @ .100	.126	4	1.406	.131	.050	.128
NCG-162	1.625	55 @ .110	.138	4	1.529	.143	.062	.158
NCG-175	1.750	60 @ .110	.137	4	1.650	.142	.062	.158
NCG-187	1.875	63 @ .110	.140	4	1.769	.145	.062	.158
NCG-200	2.000	65 @ .110	.145	4	1.886	.150	.062	.158
NCG-212	2.125	70 @ .130	.170	4	2.003	.175	.078	.188
NCG-225	2.250	75 @ .130	.175	4	2.120	.180	.078	.188
NCG-237	2.375	80 @ .130	.175	4	2.239	.180	.078	.188
NCG-250	2.500	84 @ .130	.171	4	2.360	.176	.078	.188
NCG-262	2.625	88 @ .130	.181	4	2.481	.190	.078	.188
NCG-275	2.750	94 @ .170	.217	4	2.602	.222	.093	.225
NCG-287	2.875	97 @ .170	.217	4	2.721	.222	.093	.225
NCG-300	3.000	100 @ .170	.225	4	2.838	.230	.093	.225
NCG-312	3.125	103 @ .170	.230	4	2.957	.235	.093	.225
NCG-325	3.250	106 @ .170	.225	4	3.076	.230	.093	.225
NCG-350	3.500	115 @ .185	.245	4	3.316	.250	.111	.281
NCG-362	3.625	117 @ .185	.250	4	3.435	.255	.111	.281
NCG-375	3.750	121 @ .185	.258	4	3.552	.263	.111	.281
NCG-387	3.875	126 @ .185	.255	4	3.673	.260	.111	.281
NCG-400	4.000	130 @ .185	.268	4	3.792	.273	.111	.281
NCG-412	4.125	134 @ .185	.263	4	3.919	.268	.111	.281
NCG-425	4.250	140 @ .185	.248	5	4.065	.253	.111	.281
NCG-450	4.500	150 @ .185	.256	5	4.310	.261	.111	.281
NCG-475	4.750	160 @ .185	.253	5	4.550	.258	.111	.281
NCG-500	5.000	170 @ .185	.259	5	4.790	.264	.111	.281

NOTA: TAMAÑOS -275 HASTA -500 SE RIZAN.